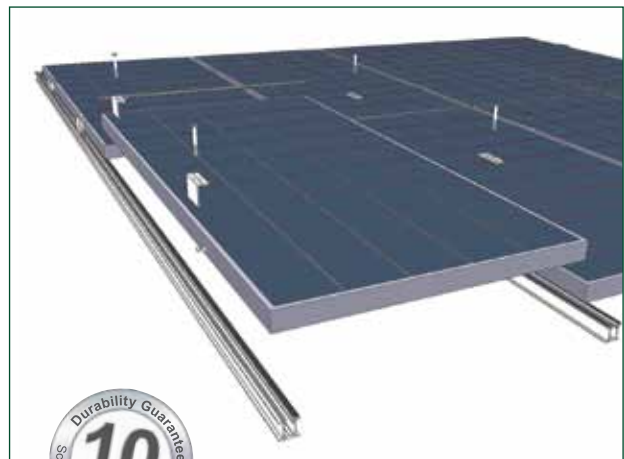


Plandach5

An in-roof system based on well-proven technology

- Optimum watertightness
- Flexible and modular
- Separation of the areas of liability



Description

Schletter **Plandach5** combines the advantages and the modularity of on-roof systems with the characteristics you expect from really good in-roof systems!

As the sealing layer and the module fastening layer are clearly separated, a reliable sealing of the penetration points is safeguarded. The system profile is suitable for framed modules, and if it is combined with support rubbers, it can also be used for the fastening of thin-film modules.

Application information

A conventional roofing membrane from the industrial roof sector (e.g. Alwitra Evalon V) is laid onto the roof boarding e.g. wooden material plate V100 G or massive boarding plus fire protection mat) or onto a correspondingly pressure-stable on-roof insulation.

Vertical system rails are laid on the roofing membrane and screwed with the boarding; the perforations are laminarily sealed between the rail and the roofing membrane (EPDM-rubber form part).

For an improved security, the screws are equipped with sealing discs within the rail. Due to its constructive design, the rail has an interior water drainage that keeps inflowing residual water away from the screw holes. The system rails are arranged suitably to the module widths and support the modules (laminates or framed modules) in a linear manner.

Clamping is effected by means of corresponding clamping components which can be hooked into the rail and screwed at any point along the rail. On request, a linear clamping with an end-to-end covering rail is also possible.

The system is suitable for roof inclinations of about 20 degrees or more.

We grant a voluntary 10-year warranty on all Schletter mounting systems.



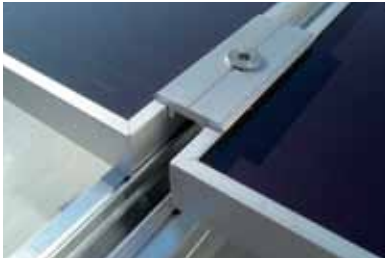
❶ Screwing of the vertical rails with special screws including sealing washers that are fastened directly on the readily laid roof in certain distances according to the respective module. Underlayment for laminar sealing at all screwing points. Screw distances according to the information in the structural analysis.



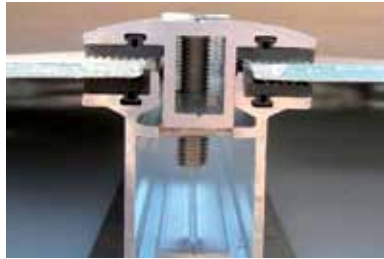
❷ Arrangement of the modules on the vertical rails.



❸ Placing of the module clamps; Insertion at any desired spot of the rail



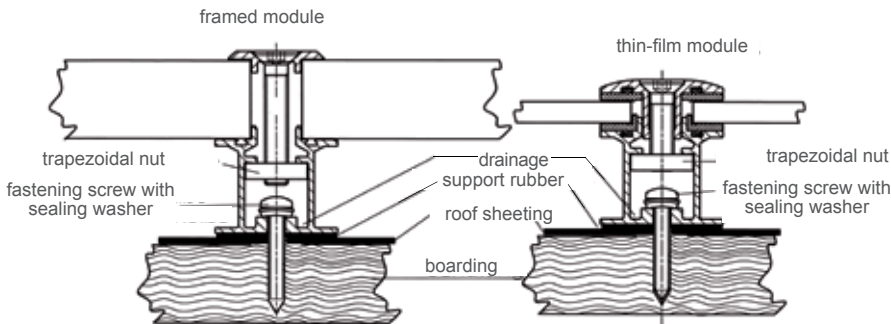
Clamping of framed modules



Our clamps for thin-film modules are equipped with protective rubber parts.



Total view



Technical data

Material	The clamp parts are made of aluminum, the screws are made of high-grade steel The rubber is made of UV-resistant EPDM-rubber Roofing sheets, sealing tapes, edge protectors, etc. from the industrial sector
Modules	<ul style="list-style-type: none"> • Framed modules of any thickness • Laminates from 3 up to 14mm • Engagement length for laminated modules 11mm with narrow covering or 15 mm with broad covering
Structural analysis	<p>Structural analysis according to the current specific national standards (in Germany DIN1055 and EC1).</p> <p>Structural analysis attachments on the dimensioning of the number of the required fastening spots, based on structural calculation. For this purpose, we put our charts and dimensioning programs at your disposal.</p> <p>By all means, consider the information on structural safety!</p>